

ICESPY

BY WINTER RECREATION TECHNOLOGIES

ICESPY™ JUST MADE WINTER BETTER.

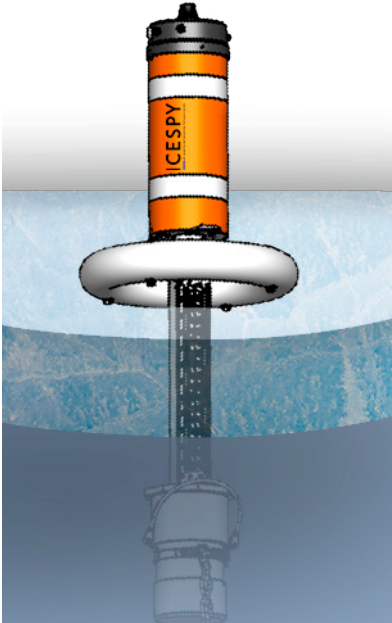
Monitor a frozen water body from anywhere, anytime.

Say Hi to **ICESPY**. Now winter enthusiasts of all kinds can monitor a frozen lake or other water body remotely. Get frequent updates on ice thickness without leaving your home or office – plus, save drive time and vehicle miles!

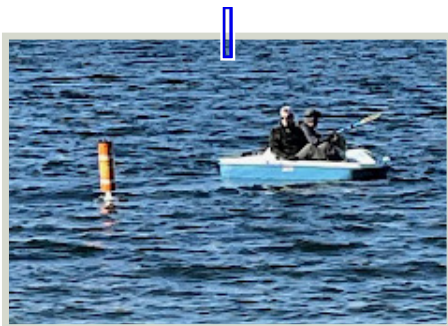
ICESPY is an ice thickness monitor that's easy to deploy, and data can be viewed from anywhere you have an internet connection. Designed to be used year-round, **ICESPY** can be reused season after season.

ICESPY can be used by:

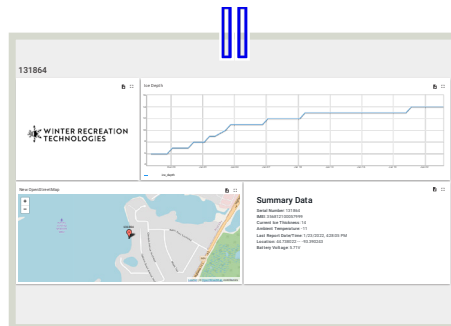
- Snowmobile/ATV clubs
- Ice anglers/fishing clubs
- Snow ski/snowshoe clubs
- Resorts and cabin owners
- County and state agencies
- and more!



HOW IT WORKS



ICESPY is installed like a buoy. Simply put it in the water, drop the anchor, and turn on the power switch. **ICESPY** can also be deployed in the winter by cutting a hole in the ice and dropping it in place.



Once installed, **ICESPY** takes measurements every 12 hours and transmits data wirelessly to an online portal. View the data remotely on your computer or mobile device.

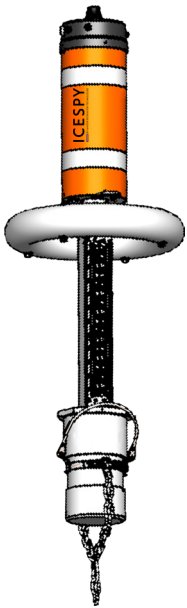


The device is highly reflective and easily visible, rechargeable, and can be used in all seasons. And, access to the data can easily be shared with others if you choose.



At Winter Recreation Technologies, we use the most current technologies to develop products that give you better insights into outdoor conditions with the ability to monitor changes remotely and in real-time. WRT is proudly located in Richmond, Minnesota.

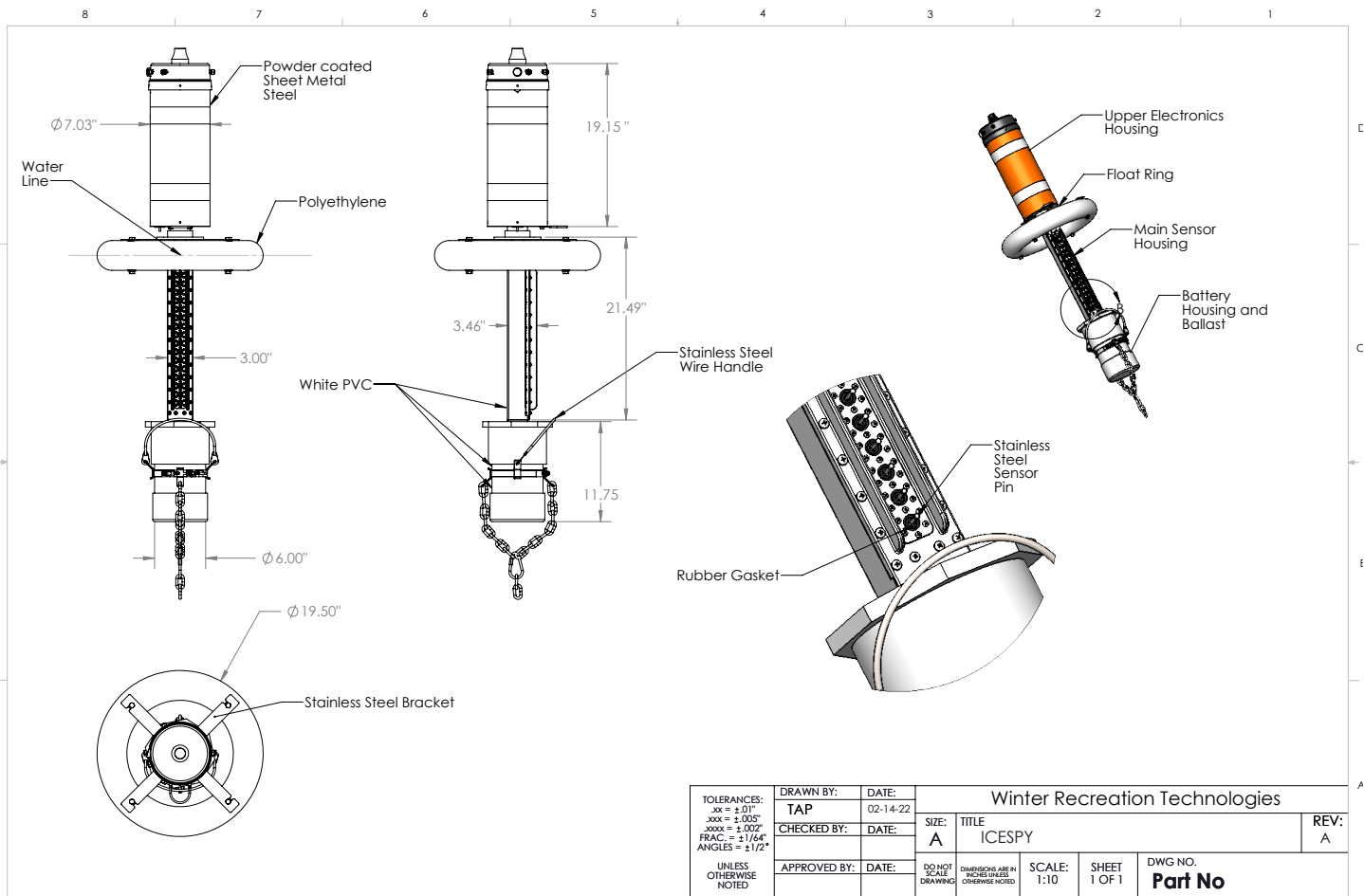




SPECIFICATION SUMMARY

- Ice thickness measurement: Range of 1 to 16 inches in 1-inch increments
- Water/Ice temperature measurement: 0 to 85° F with 0.01° resolution and +/- 0.2° F accuracy
- Ambient temperature measurement: -40 to 100° F with 0.01 degree resolution and +/- 0.5° accuracy
- Measurement frequency: 12 hours
- Local display: Three LEDs viewable 360°. LEDs flash once per inch of ice and repeat every 4 minutes
- Power source: 6 VDC, 24 Ah rechargeable battery, up to 6 months operation between recharges. Ambient temperature range: -40 to 80° F
- Wireless connection: AT&T cellular network
- Minimum water depth for installation: 34 inches
- Unit weight: 35 lbs.

DIMENSIONS



Make your job easier. Order your **ICESPY** ice thickness monitor today by emailing info@winrectech.com or calling 612-229-3941.

Find us at www.winrectech.com.

No ice is ever completely safe. This device is meant to provide information as to the possible thickness of the ice that exists only where the unit is located. Winter Recreation Technologies LLC makes no warranties, express or implied, as to the ability of this product to determine whether any ice surface is safe to be entered upon by the user. Any act or failure to act based on a reading from this product shall be at the user's own risk.