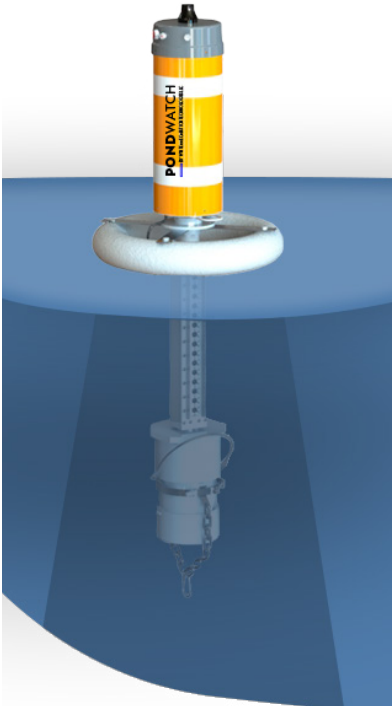


# PONDWATCH

BY WINTER RECREATION TECHNOLOGIES LLC



**PONDWATCH™ JUST MADE YOUR JOB EASIER.**

Monitor a pond from anywhere, anytime.

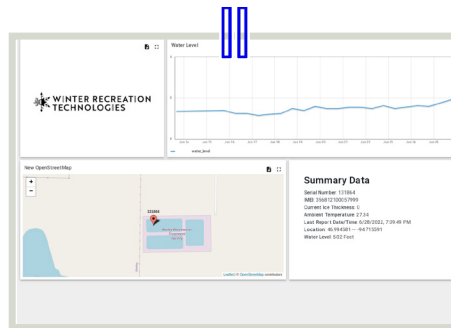
Leave your boots in the truck and let PONDWATCH do the dirty work for you. Monitor pond status remotely and get frequent updates and critical insights on water level and temperature and other parameters - plus save drive time and vehicle miles.

PONDWATCH is a wastewater/stormwater pond monitor that's easy to deploy, and data can be monitored from anywhere you have an internet connection. Designed to be used year-round, PONDWATCH even provides ice thickness measurements in the winter!

## HOW IT WORKS



**PONDWATCH** is installed like a buoy. Place the anchor at the bottom of the pond and turn on the power switch. PONDWATCH can also be deployed in the winter by cutting a hole in the ice and dropping it in place.



Once installed, PONDWATCH takes measurements every 12 hours and transmits data wirelessly to an online portal. View the data remotely on a computer or mobile device.



The device is highly reflective and easily visible, and it can be recharged and used in all seasons. Access to the data can easily be shared with your team.



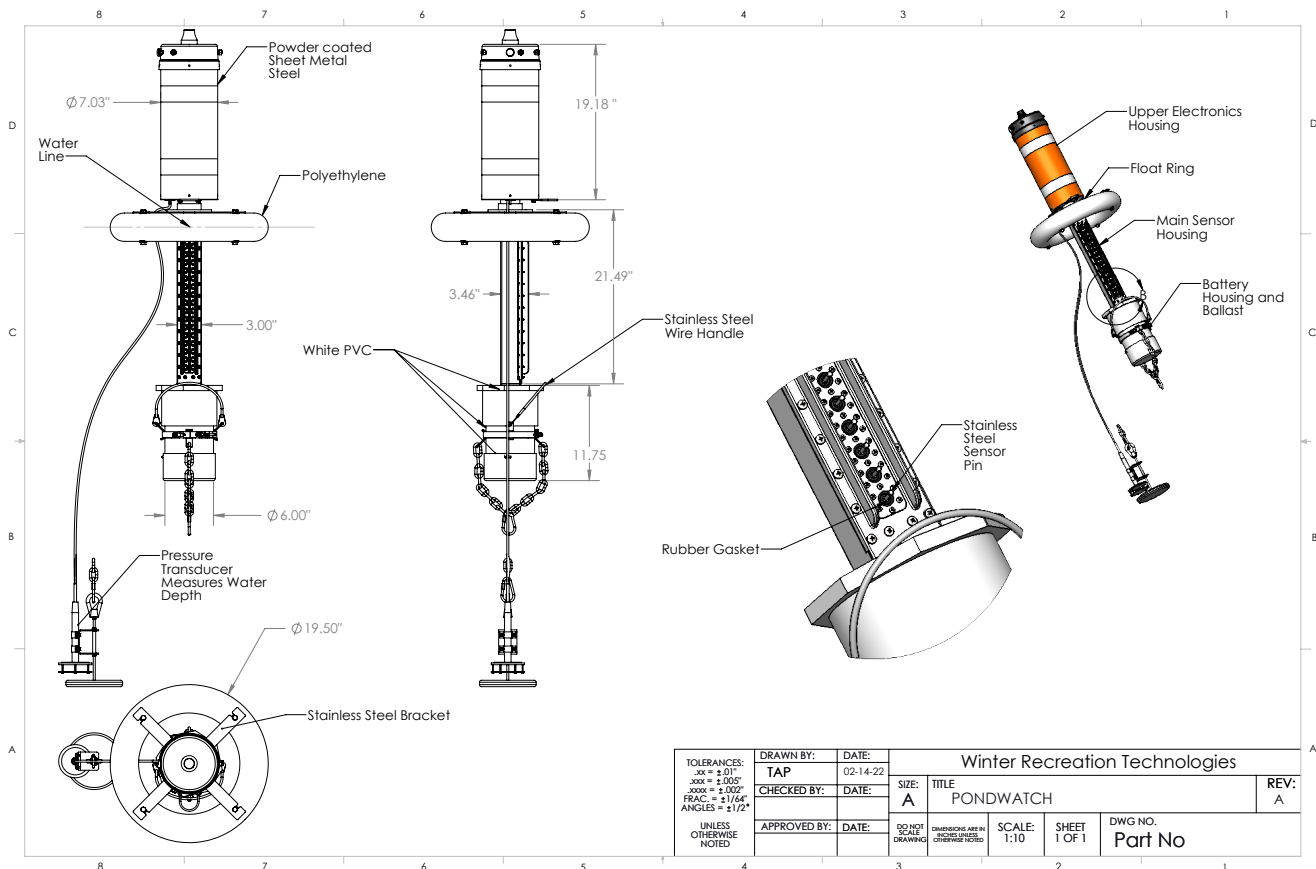
At Winter Recreation Technologies, we use the most current technologies to develop products that give you better insights into outdoor conditions and the ability to monitor changes remotely and in real-time. WRT is proudly located in Richmond, Minnesota.



## SPECIFICATION SUMMARY

- Water depth measurement: Range 2.5 to 11 feet of water with 0.01-foot resolution and +/- 0.04 foot accuracy.
- Ice thickness measurement: Range 2 to 16 inches of ice in 2-inch increments.
- Ice/water temperature measurement: 10 to 85° F with 0.01 degree resolution and +/- 0.5 degree accuracy.
- Ambient temperature range: -40 to 80° F with 0.01° resolution and +/- 1°F accuracy.
- Dissolved oxygen measurement: 0-20 mg/L (ppm) range, ± 2.0% of full-scale accuracy.
- Conductivity measurement: 0-5000 µS/cm range (standard), ± 1.00% of full-scale accuracy.
- pH measurement: contact factory for details.
- Measurement frequency: 12 hours (standard).
- Local display: Three LEDs viewable 360°. LEDs flash once per inch of ice and repeat every 4 minutes.
- Power source: 6 VDC, 24 Ah rechargeable battery, up to 6 months operation between recharges. Provides 6+ months run time.
- Wireless connection: AT&T cellular network.
- Minimum water depth for installation: 30 inches, 34 inches with ice thickness transducer.
- Unit weight: Approximately 35 lbs.

## DIMENSIONS



Make your job easier. Order your PONDWATCH wastewater monitor today by emailing [info@winrectech.com](mailto:info@winrectech.com) or calling 612-229-3941.

Find us at [www.winrectech.com](http://www.winrectech.com).

No ice is ever completely safe. This device is meant to provide information as to the possible thickness of the ice that exists only where the unit is located. Winter Recreation Technologies LLC makes no warranties, express or implied, as to the ability of this product to determine whether any ice surface is safe to be entered upon by the user. Any act or failure to act based on a reading from this product shall be at the user's own risk.